

4VS Turret Mill

A toolroom quality, high precision production mill

Standard features include:

- Power feed to table X, Y and Z
- All purpose variable speed turret head with powered quill feed
- Unique design ensures spindle is firmly held by additional set of top bearings, essential for heavy duty milling
- Powerful 2hp motor
- Quality meehanite GC-275 castings
- Coolant system
- Halogen lo-volt lighting
- Centralised lubrication system to slideways and leadscrews ensures prolonged machine life
- Locks to X, Y, Z axes
- Tapered gibs to X, Y, Z axes
- High quality electrical system incorporating overload protection
- High quality low voltage electrical circuits

Speed control

Spindle brake

We can supply and fit DRO.

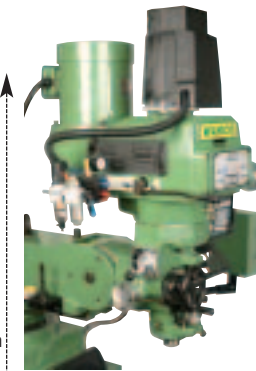


• Guard removed for clarity



Item No. 3018
4VS Metric

ITEM NO. 3018	4VS TURRET MILL
SPECIFICATION	
Table size	2230 x 1245mm
Number of tee slots	3
Cross traverse	306mm
Longitudinal traverse	730mm
Vertical traverse	406mm
Overarm rotation	360°
Distance spindle to table	470mm
Throat	228-553mm
Spindle taper	R8
Spindle stroke	127mm
Speed range rpm	50-3500
Number of speeds	Variable
Spindle feeds	0.04 - 0.08 - 0.14
Head tilt left/right	45° 0 45°
Head tilt front/back	45° 0 45°
Motor	1.5kw
Power supply	440v
Dimensions W x D x H	1468 x 1620 x 2010mm
Weight	1000kg

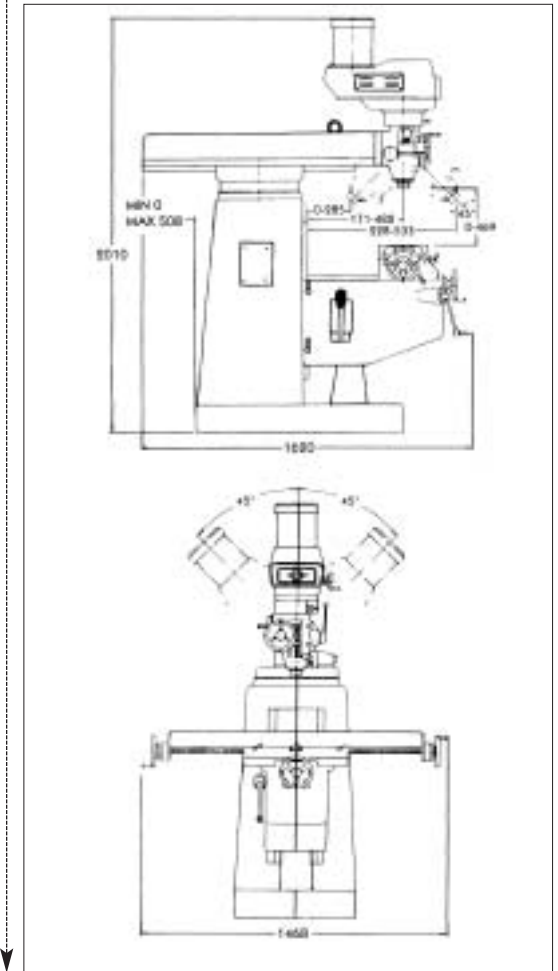


2010mm

Air draw bar system

Item No. 4919

- Operator safety feature reduces risk associated with climbing to manually reach drawbar when changing tooling
- 3 second operation, save valuable operator time
- Straightforward installation



Direct collets

R8

Tapped $\frac{7}{16}$ "
unf for
drawbar

Item No. 4315 3mm	Item No. 4324 $\frac{1}{8}$ "
Item No. 4327 4mm	Item No. 4325 $\frac{3}{16}$ "
Item No. 4328 5mm	Item No. 4326 $\frac{5}{16}$ "
Item No. 4316 6mm	Item No. 4319 $\frac{1}{4}$ "
Item No. 4329 8mm	Item No. 4320 $\frac{3}{8}$ "
Item No. 4317 10mm	Item No. 4321 $\frac{1}{2}$ "
Item No. 4323 12mm	Item No. 4322 $\frac{5}{8}$ "
Item No. 4330 14mm	
Item No. 4318 16mm	



Milling vices

- Swivel, calibrated base which can be removed for direct mounting
- Close grain cast iron body
- Jaws hardened and ground tool steel
- Supplied with pair tee bolts
- Tennon on underside to align vice in tee slot

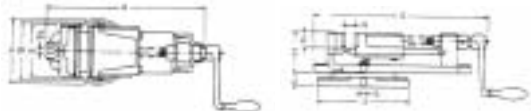
Item No. 5478



Item No. 5479



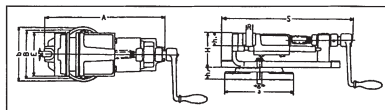
ITEM NO.	5478	5479
SPECIFICATION		
E	70mm	115mm
A	210mm	206mm
B	75mm	90mm
H	70mm	80mm
R	68mm	75mm
S	90mm	345mm
a	160mm	190mm
h1	30mm	36mm
h2	24mm	29mm
g2	11mm	13mm
Weight	5.7kg	10kg



Vertex precision milling vice

ITEM NO.	5402
MODEL	K4
E	100mm
A	267mm
B	106mm
H	75mm
R	65mm
S	295mm
a	160mm
b	114mm
h1	30mm
h2	25mm
g	13mm
g1	13mm

- Precision ground body
- Hardened steel jaw
- Swivel base can be detached



Collet chuck set

- Each supplied with 4 collets
- Imperial $\frac{1}{4}$ ", $\frac{3}{8}$ ", $\frac{1}{2}$ ", $\frac{5}{8}$ "
- Metric 6mm, 10mm, 12mm, 16mm
- To hold threaded shank end mills

R8 Imperial
Item No. 8087

R8 Metric
Item No. 8086



Illustrated R8 Arbor

Additional individual collets.
Collet o/d is constant
between met/imp, making
full interchange possible.

Item No. 8201 $\frac{1}{4}$ "
Item No. 8202 $\frac{3}{8}$ "
Item No. 8203 $\frac{1}{2}$ "
Item No. 8204 $\frac{5}{8}$ "

Item No. 8205 6mm
Item No. 8206 10mm
Item No. 8207 12mm
Item No. 8208 16mm

ER-32 collet set

ITEM NO.	8068
SPECIFICATION	
Taper	R8
Set range	3-20mm
Set pcs	18



ER-25 collet chuck set

Set includes collets
4-3/6-5/8-7/10-9/12-11/16-15
Accommodates standard met/imp cutters up
to 16mm $\frac{5}{8}$ " shank.



ITEM NO.	5461
SPECIFICATION	
Taper	R8
Set pcs	6

Clamping kit

52-piece kit includes
24 x studs 6 x steel step
6 x "T" nuts 6 x flanged nuts
4 x coupling nuts 6 x step blocks

W4 Item No. 8013



Pair ball joint clamps

Table and work piece not included

- Brass hold downs to avoid marking workpiece and table
- Maximum height of work piece 50mm

Item No. 9107

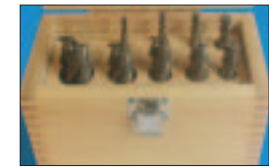


End mill set

- Threaded shank
 $\frac{1}{8}$ " $\frac{5}{32}$ " $\frac{3}{16}$ " $\frac{1}{4}$ " $\frac{5}{16}$ "
- Threaded shank
3 4 5 6 8 10 12 14
16mm

Item No. 8209

Item No. 8210



Set of 10 end mills and 10 slot drills

- Set of 10 end mill and 10 slot drills
3 4 5 6 8 10 12 14 16 20mm
- Plain shank
- Tin coated for prolonged life

Item No. 8836



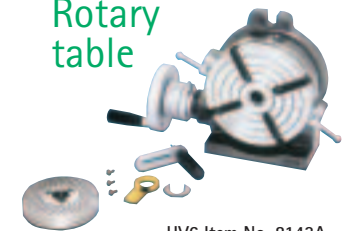
Tee nuts

- Thread 12mm



Item No. 9524

Rotary table



HV6 Item No. 8143A

Hold down clamps - pair

ITEM NO.	9041
SPECIFICATION	
Stud diameter	8.8mm
Max.height of work piece	90mm



Cutting oil

2 Litre Item No. 8885A
4 Litre Item No. 8885

- Neatcut
- A high performance neat cutting oil
- Laboratory formulated and tested to provide advanced performance
- Clean, stain resistant application
- Due to the risk of damage by carrier, we can only deliver Neatcut with a machine

